

KENT

Flame Effect Fires

The Kent range of flame-effect gas fires create a feel good ambience. Our enclosed fires warm your room quickly and efficiently providing a warm and cosy glow at the press of a button.

They are easy to install, easy to operate and also easy on the eye. The way the flames make shadows dance around your warm and cosy room will make you feel so good.

Welcome to a warm Kent home.





Ochre Inbuilt

Incorporating a gentle curving glass front, that continues through the surround, this design presents a refined and elegant look when combined with our natural-look Eucalypt logs.

Suitable to replace existing gas/oil space heaters with minimum effort, fitting neatly into the existing cavity. A flue is not required when installed into a masonry or brick fireplace – reducing installation costs.

Also available with a mock fireplace kit for installation against timber or plasterboard (combustibles).

Specifications:

- 4 star energy rating
- Easy to use controls:
 - Electronic direct spark ignition
 - 3 speed fan
 - 2 heat settings (High and Low)
- Double glazed for safety
- Natural Gas and LPG
- Two year warranty

Accessories available:

- Stainless steel or black, three and four sided picture frame surrounds
- Spacer kit
- Console kit



Ochre Freestanding

The refined, elegant curved appearance combined with natural Eucalypt logs will effortlessly suit any home situation.

A double glazed picture window enables unobstructed viewing of the flames creating the perfect feel of a log fire.

Heat is effectively delivered with an impressive energy rating. It requires minimal clearances, making it versatile to install almost anywhere in a room.

Specifications:

- 4 star energy rating
- Easy to use controls:
 - Electronic direct spark ignition
 - 3 speed fan
 - 2 heat settings (High and Low)
- Natural Gas and LPG
- Two year warranty

Accessories available:

- Gold trim



Cassel Inbuilt

With a horizontal flue, that goes straight from the rear of the heater to the outside, the Cassel gives you freedom to locate it just about anywhere in a home.

The clever design allows you to place the heater on any external wall, even in an apartment.

Because the powerflue uses outside air for combustion, your home stays clean, fresh and warm. Plus with a high star rating you know you have chosen top efficiency.

For installation into a combustible wall or enclosure, a Mock Fireplace Kit is available.

Specifications:

- 4.5 star energy rating
- Easy to use controls:
 - Electronic direct spark ignition
 - 3 speed fan
 - 2 heat settings (High and Low)
- Inbuilt mesh safety guard
- Natural Gas and LPG
- Two year warranty

Accessories available:

- Silver trim
- Stainless steel or black, three and four sided picture frame surrounds
- Spacer kit
- Console kit



Sienna Decorative

Our Sienna Decorative Gas Fire is the ideal finishing touch in your living area to complement a panel heating or central heating installation.

These fires are specified and priced at an affordable level to ensure you have enough in your budget to enjoy the ambience of a flame-effect gas fire after you have effectively heated your home first.

Specifications:

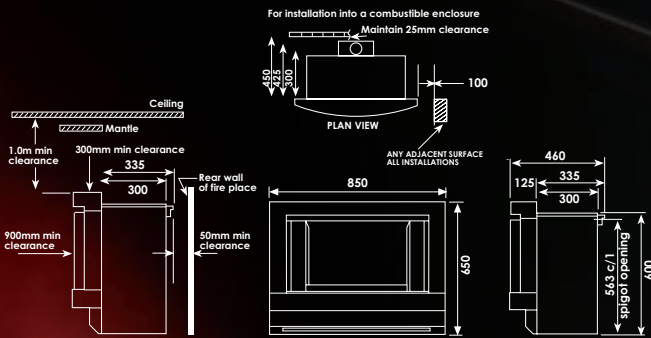
- Easily installed in a false chimney or existing fireplace/chimney
- Easy to use controls:
 - Piezo ignition ensures easy lighting
 - Fan included to increase heat distribution
 - 2 heat settings (High and Low)
- Choose from three sizes - 700, 800 or 900mm wide
- Detachable stainless steel fascia enables easy cleaning
- Flame Failure Device
- Natural Gas and LPG
- Two year warranty



Flame Effect Fire Technical Specifications

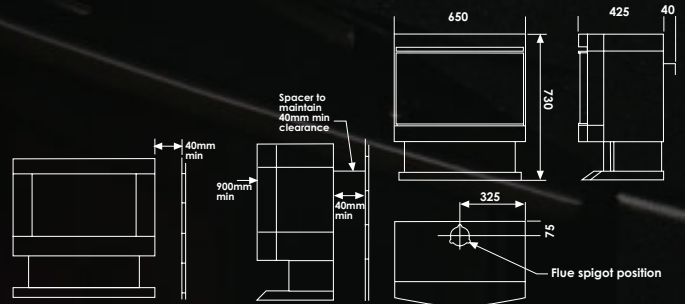
Model No:	Min Cavity Dimensions (H x W X D mm)	Output	Input
Ochre Inbuilt			
CIB-03-NZ	605 x 695 x 385	5.96 kWh	26 mj/hr
CIBLP-03-NZ	605 x 695 x 385	5 kWh	22.5 mj/hr

Flue kit IBFLUEKIT-NZ sold separately



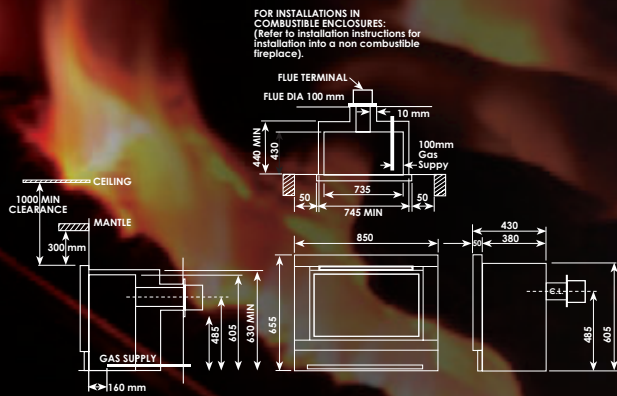
Model No:	Dimensions (H x W X D mm)	Output	Input
Ochre Freestanding			
CFS-03-NZ	730 x 650 x 425	5.96 kWh	26 mj/hr
CFSLP-03-NZ	730 x 650 x 425	5 kWh	22.5 mj/hr

Flue kit FLUECAN-RO-NZ sold separately

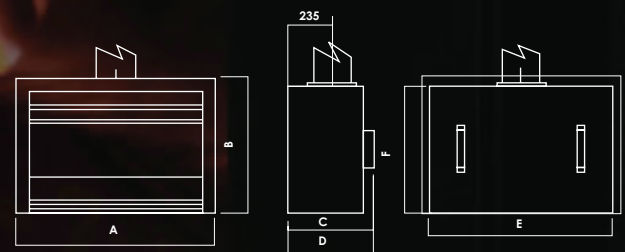


Model No:	Min Cavity Dimensions (H x W X D mm)	Output	Input
Cassel Inbuilt			
FIBPWR-03-NZ	610 x 710 x 385	6.5 kWh	28 mj/hr
FIBPWRLP-03-NZ	610 x 710 x 385	5.8 kWh	25 mj/hr

Flue kit included



Model No:	Min Cavity Dimensions (H x W X D mm)	Output	Input
Sienna Inbuilt Decorative			
KGF260-002	700 NG 680 x 780 x 460	2.5 kWh	30.5 mj/hr
KGF260-003	700LPG 680 x 780 x 460	2.5 kWh	30.5 mj/hr
Flue kit FE150-150-K sold separately			
KGF260-004	800 NG 680 x 880 x 460	3 kWh	35 mj/hr
KGF260-005	800 LPG 680 x 880 x 460	3 kWh	35 mj/hr
KGF260-006	900 NG 680 x 980 x 460	3.5 kWh	40 mj/hr
KGF260-007	900 LPG 680 x 980 x 460	3.5 kWh	40 mj/hr
Flue kit FE150-200-K sold separately			



Model	A	B	C	D	E	F	Flue Dia
700	825	685	400	460	760	665	150
800	925	685	400	460	860	665	200
900	1025	685	400	460	960	665	200

Product specifications are at date of publication and are subject to change without notice.

MM2100-12/09

Kent products are distributed by:
 Aber Holdings Ltd T/A Aber
 17 Mainstreet Place, Te Rapa,
 Hamilton 3241
 Customer Service Free Phone: 0800 161 161
 Customer Service Free Fax: 0800 163 163
 www.aber.co.nz www.kent.co.nz